

## ASSEMBLY INSTRUCTIONS

### CARTON CONTENTS:

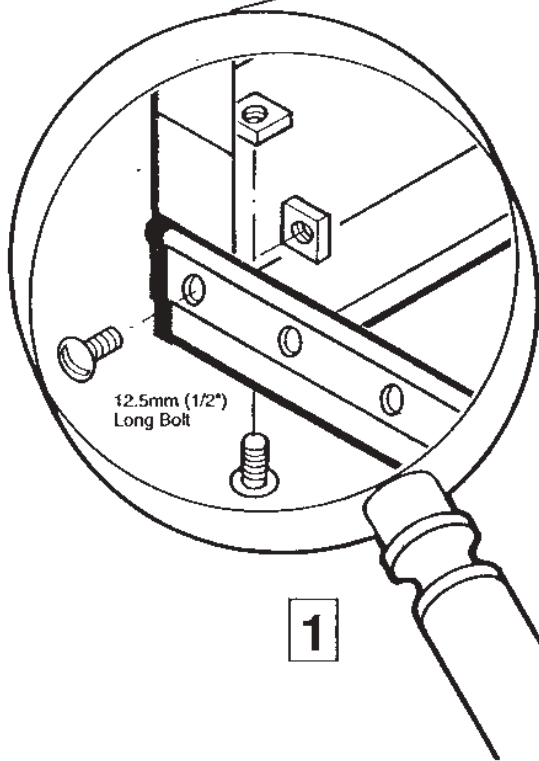
- 4 - SHELVES
- 8 - POST END CAPS
- 8 - POST SECTIONS
- 48 - NUTS AND BOLTS 12.5mm (1/2")
- 6 - BRACE SECTIONS
- 1 - BRACE BOLT 19mm (3/4")

A 3/8" FLAT BLADE SCREWDRIVER IS REQUIRED FOR ASSEMBLY

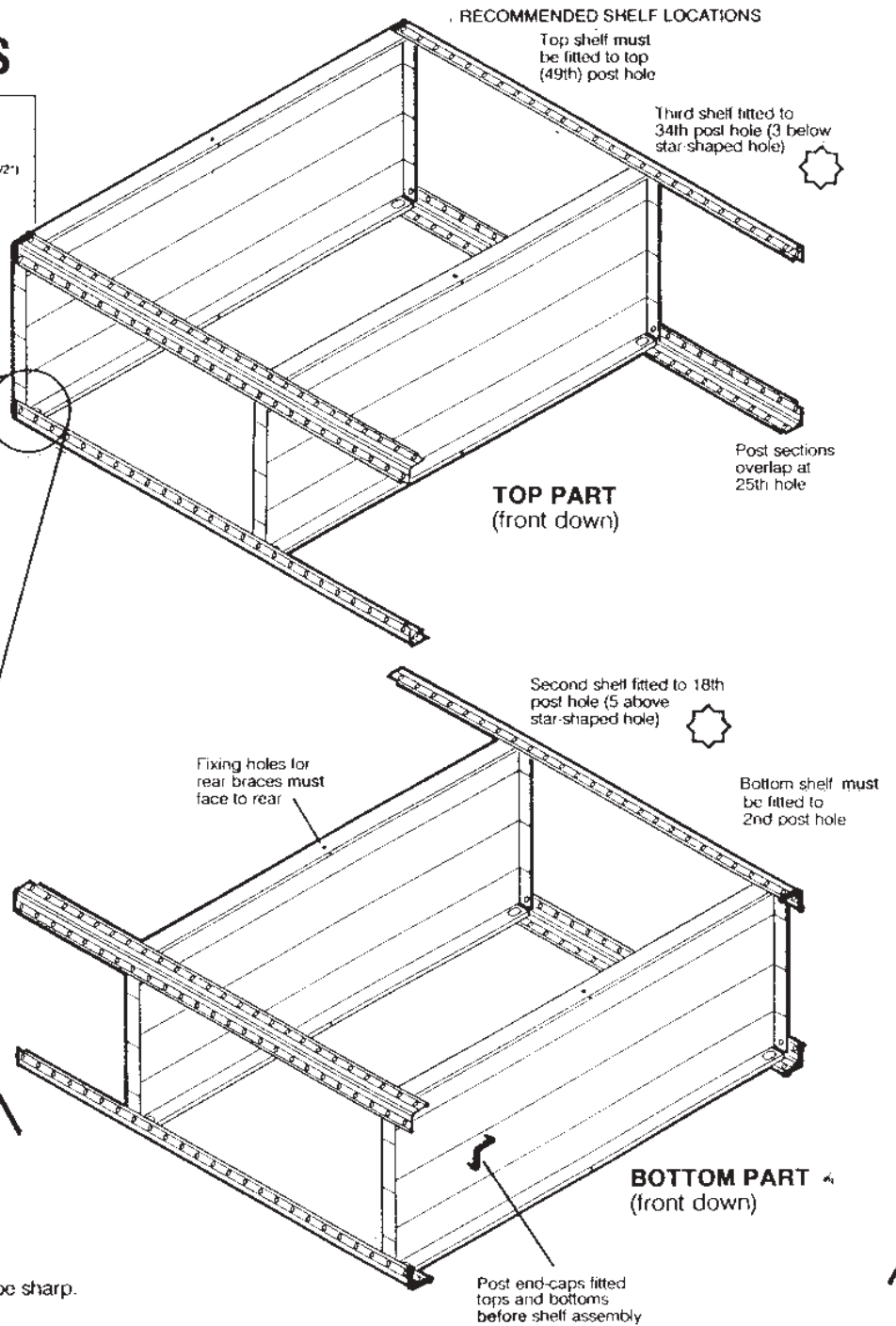
If any parts or fasteners are missing, please list them on the enclosed inspection card and return to:

Spacemaker Ltd.  
3069 Wolfedale Road  
Mississauga, Ontario L5C 1V9

Or Call:  
416-279-2632



1



### RECOMMENDED SHELF LOCATIONS

Top shelf must be fitted to top (49th) post hole

Third shelf fitted to 34th post hole (3 below star-shaped hole)

Post sections overlap at 25th hole

### TOP PART (front down)

Second shelf fitted to 18th post hole (5 above star-shaped hole)

Fixing holes for rear braces must face to rear

Bottom shelf must be fitted to 2nd post hole

### BOTTOM PART (front down)

Post end-caps fitted tops and bottoms before shelf assembly

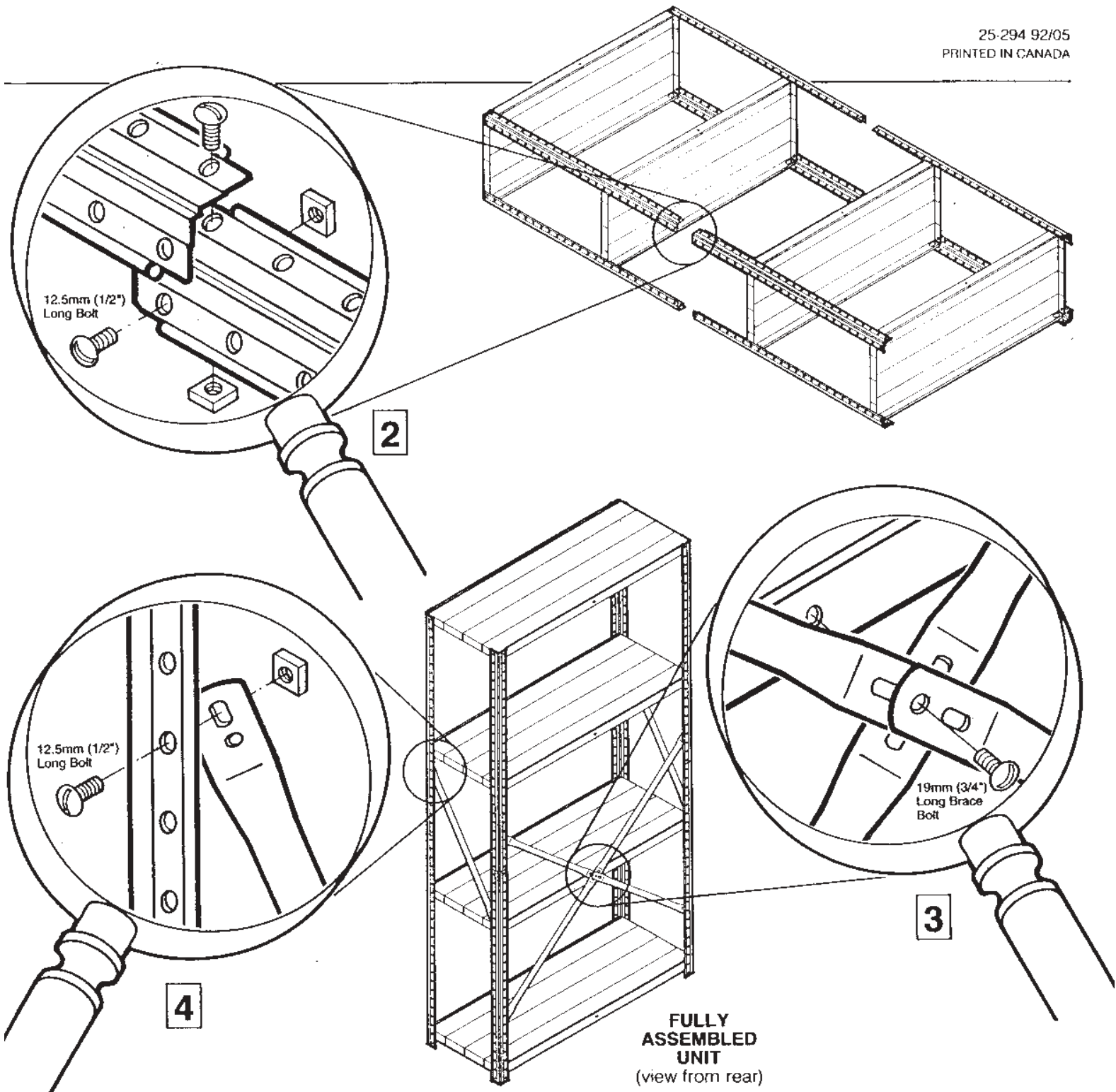
**CAUTION:** The edges of some unassembled parts may be sharp. Please handle them with care.

**NOTE:** The position of the top and bottom shelves are not adjustable and should be assembled in the positions as shown. The other shelves may be positioned as required.

**NOTE:** Centered on one of the longer-side edges of each shelf is a small fixing hole to be used for attaching the rear brace sections. This hole must face the rear of the unit. (See illustration)

1. Fit plastic end caps to the wider end of each post section. Gently tap them into place with the handle of the screwdriver.
2. Attach top shelf (using 2 nuts and bolts per corner) to a post section, (attach through top holes of the post section) finger tighten bolts only. Attach opposite posts in the same manner. See illustration 1.
3. Attach 3rd shelf with nuts and bolts at the desired position, and again finger tighten bolts only.

4. Attach bottom shelf to a post section (using 2 nuts and bolts per corner) through the 2nd fixing holes from the bottom of a post section. Attach other post sections to the shelf in the same manner.
5. Attach remaining shelf with nuts and bolts at the desired height, leaving the nuts and bolts only finger tight.
6. Join upper and lower post sections of the unit together. This is carried out by overlapping the top post sections over the lower post sections by one hole only, bolt posts together (using 2 nuts and bolts per corner). See illustration 2.
7. Stand unit upright and inspect it for being square.



8. Attach four brace sections (rounded side outwards) to the rear centre fixing hole of the second shelf (illustration 3). Place the 19mm (3/4") long bolt through the outermost-located round holes of the four brace sections and attach all sections to the shelf with a nut placed on the inside of the shelf. Pivot each brace section to form an "X" shape, and attach each brace to the inside of a post section at the point when the fixing holes align.
9. Attach side brace section (rounded side outwards) from the inside of the rear post section (6th hole down from the post section joint). Pivot brace across to the inside of the opposite post section (illustration 4) and attach with a nut and bolt at the point when it is in alignment with a post section fixing hole as shown in the illustration. Repeat this instruction for the opposite brace.
10. Tighten all nuts and bolts with a screwdriver.

**SOME IMPORTANT NOTES:**

- Place heavier items on the lower shelves and away from centre of the shelves.
- Distribute the weight of other items evenly across the shelves.
- Do not stand on this unit.
- If shelving unit is to be fully loaded or used on any sort of incline, we suggest the unit be secured to a suitable means of support.
- Follow all instructions ... incorrect assembly could result in unit failure.
- Periodically tighten all bolts.