

Owner's Manual & Assembly Instructions

Wall Shelf

Model No. **SS900-A**
697.68204-A



10-24 Hex Nut (30)



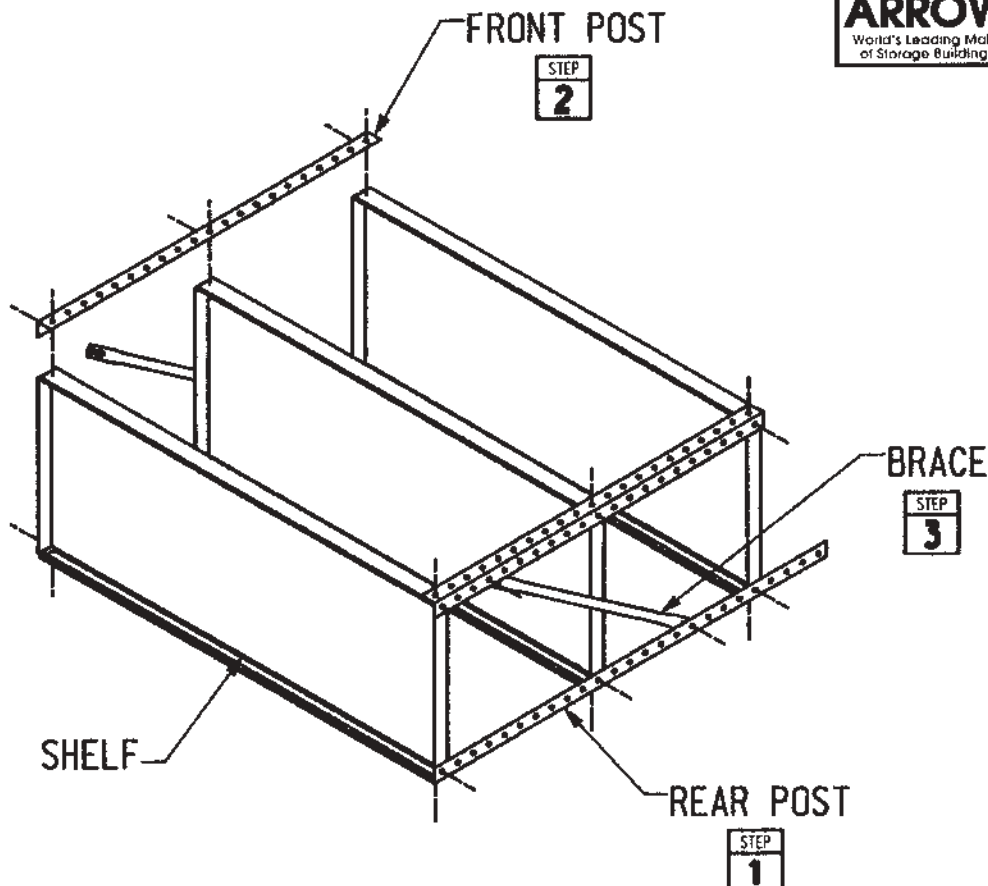
10-24 x 1/2" Bolt (30)

- 1 Place two **rear posts** on a flat surface parallel to each other. Position **shelves** at desired location and fasten with bolts and nuts.
- 2 Place **front posts** opposite the rear posts and secure to shelves with bolts and nuts.
- 3 Fasten **braces** to the inside of rear posts and inside of front posts with bolts and nuts, as shown.

Keep this Owner's Manual for future reference.

* If you find a part is missing, include the model no. of your shelf and contact:

Arrow Group Industries, Inc. Customer Service Dept.
Route 50 East Breese, Illinois 62230
1-800-851-1085

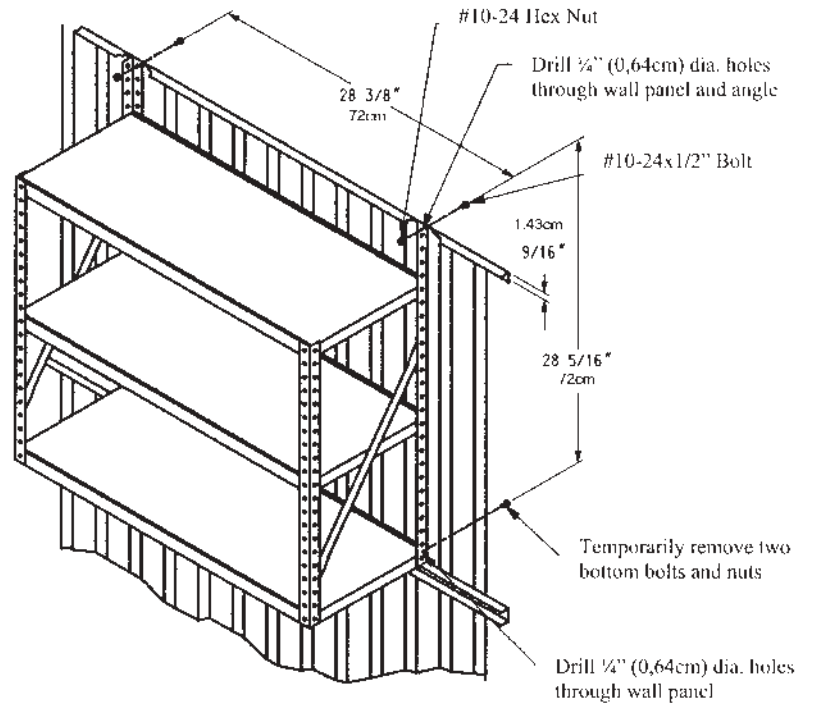


CAUTION: SOME PARTS HAVE SHARP EDGES. CARE MUST BE TAKEN WHEN HANDLING THE VARIOUS PIECES TO AVOID A MISHAP. WEAR GLOVES WHEN HANDLING METAL PARTS.

Mounting Instructions

ASSEMBLY PROCEDURE WHEN MOUNTING TO VERTICAL SIDED BUILDINGS

- 1 Locate shelf unit on desired wall. Drill two $\frac{1}{4}$ " (0,64cm) dia. holes through upper wall angle and wall panel $28\text{-}\frac{3}{8}$ " (72,07cm) apart, $\frac{9}{16}$ " (1,43cm) below top flange of angle.
- 2 Using a square or level measure down $28\text{-}\frac{5}{16}$ " (71,91cm) from each hole. Check bottom holes to make sure they are $28\text{-}\frac{3}{8}$ " (72,07cm) apart. Drill two $\frac{1}{4}$ " (0,64cm) dia. holes at these locations.
- 3 Temporarily remove the two bolts and nuts from the back of the bottom shelf. Position shelf, aligning holes in rear posts with holes drilled in panel and fasten with four #10-24x $\frac{1}{2}$ " bolts and nuts provided, as shown.



ASSEMBLY PROCEDURE WHEN MOUNTING TO HORIZONTAL SIDED BUILDINGS OVER VERTICAL WALL STUDS

- 1 Follow directions for Steps 1 and 2 above.
- 2 Temporarily remove the two bolts and nuts from the back of the bottom shelf. Position shelf, aligning holes in rear posts with holes drilled in panel and fasten with four #10-24x $\frac{1}{2}$ " bolts and nuts and either $\frac{3}{4}$ " (1,90cm) or 1" (2,54cm) shims. Hardware for mounting shelf unit is not supplied. Consult your local hardware store for these parts.

